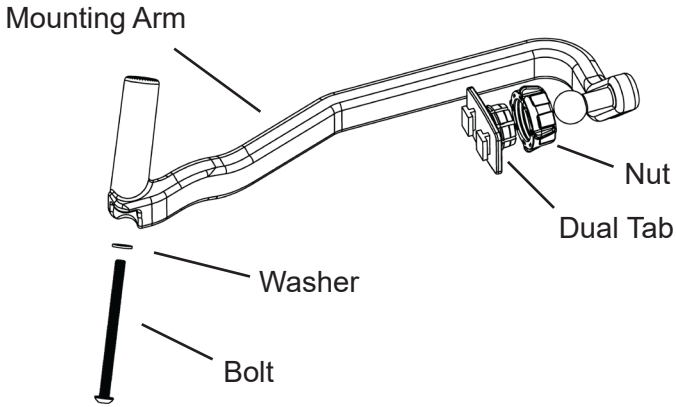




Gauge Mounting Arm Installation Instructions

2011-2016 F250-F350

Materials



Required Tools

For 2011-2016 F250/F350:

- 7 mm Socket
- 3 1/4" Drive Extension
- 1/4" Drive Socket Wrench
- Small 1/7" Flat-blade
Screwdriver
- 3 mm Allen Wrench

Mounting Arm Installation

1. On the driver's side A-pillar grab handle, carefully remove the lower cover by prying it loose using a screwdriver.
2. Remove the exposed bolt. Keep the cover and bolt should you wish to return the vehicle to stock.
3. Using the hardware included with the mounting arm, install the flat washer on the bolt and insert the bolt through the mounting arm.
4. Insert the mounting arm into the hole and use an Allen wrench to tighten the bolt into the pillar. The arm can be positioned in the desired position by loosening or tightening the bolt.
5. Remove the dual tab and nut (black plastic parts) from the bag. If the dual tab and nut are screwed together, unscrew them slightly from one another until the nut moves freely.
6. Snap the nut and dual tab over the ball on the mounting arm and tighten the nut (if the nut won't go onto the ball, the tab and nut may need to be unscrewed further).
7. Attach your device to the dual tab and secure the cord. Adjust the device position using the mounting bolt and/or the dual tab/nut.

Copyright© 2022

D10027100 Rev00 02/18/2022

For additional questions not found in the user guide call:

Powerteq Technical Support: (801)-476-3343 6:00 am - 5:00 pm MST

**To expedite your support call, please have your Vehicle Information,
Part Number, and Serial Number ready prior to calling Technical Support.**