

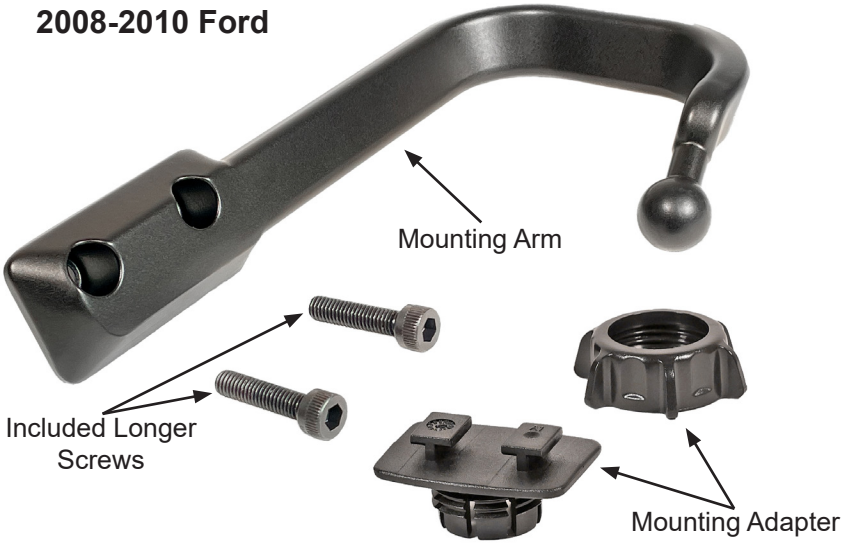


Display Mounting Arm Installation Instructions

2008-2010 Ford

Materials

2008-2010 Ford



Required Tools

5mm Allen Wrench

10mm Socket

Socket Wrench

Trim Removal Tool or Flathead Screwdriver

Mounting Arm Installation

STEP 1 - On the driver's side A-pillar grab handle, carefully remove the lower cover by prying it loose using a trim removal tool or a flathead screwdriver.

STEP 2 - Remove the two exposed screws using a 10mm socket. Keep the cover and factory screws should you wish to remove the mount.

STEP 3 - Using the included longer screws, install the mounting arm as shown in the image below.

STEP 4 - Snap the nut and dual tab over the ball on the mounting arm and tighten the nut (if the nut won't go onto the ball, the tab and nut may need to be unscrewed further).

STEP 5 - Attach your device to the dual tab and secure the cord. Adjust the device position using the mounting bolt and/or dual tab/nut.



For additional questions not found in the user guide, call:

Holley Technical Support: (888)-360-3343

Mon - Fri 8:00 am - 5:00 pm MST, Sat 8:00 am - 2:00 pm MST

**To expedite your support call, please have your Vehicle Information,
Part Number, and Serial Number ready prior to calling Technical Support.**

Holley[®]
TUNING GROUP

© Copyright 2023 Holley Inc. and subsidiaries. All rights reserved.

D10030300 Rev00 03/15/2023